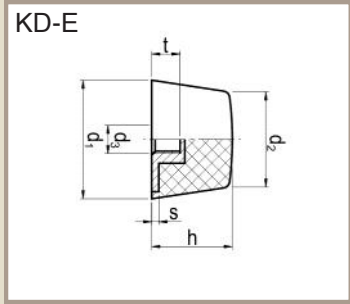
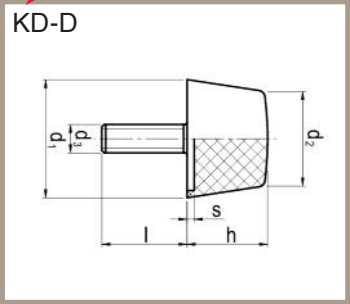




1



- Galvanized
- Stainless
- 40 - +80 °C
- RoHS

3

4

5

6

2

d <sub>1</sub>	d <sub>2</sub>	h	d <sub>3</sub>	l	t	s	D	E
15	11	12	M5	12	5	1,4	•	•
20	15	14	M6	18	6	2	•	•
20	10	17	M6	18	6	2	•	•
25	21	12	M6	18	6	2	•	•
25	22	14	M6	18	6	2	•	•
25	19	17	M6	18	6	2	•	•
32	24	22	M8	23	8	2	•	•
38	30	35	M10	28	10	2	•	•
43	30	35	M10	28	10	2	•	•
43	30	50	M10	28	10	2	•	•
50	43	18	M10	28	10	2	•	•
50	40	20	M10	28	10	2	•	•
SQ50	45	20	M10	28	10	3	•	•
60	40	40	M10	28	10	2	•	•
66	60	20	M10	28	10	2	•	•
70	30	25	M12	37	12	3	•	•
SQ80	70	25	M12	37	12	5	•	•
SQ80	70	30	M12	37	12	5	•	•
125	110	45	M16	41	16	3	•	•

**Appearance**

- Elastomer (default natural rubber, NK)**
  - Operation temperature -40 - +80 °C
  - Should not be used at oil, alkaline, acid
  - You can find other opportunities at the Elastomer
- Hardness (default 55 +/-5 Shore A)**
  - 43 (soft)
  - 55 (medium)
  - 72 (hard)
- Metal insert**
  - ST37 (galvanized, DIN EN 12329 – Fe//Zn12//A)
  - A2 (stainless, AISI 304)
  - A4 (stainless, AISI 316)

**Use**

These products are one of the group of the bumpers. These are perfect for the elastic end position storage. According to the small machines these products are perfect for their feet.

**Conical vibration dumper**

1 Product code  
 2 Type  
 3 Diameter (d<sub>1</sub>)  
 4 Height (h)  
 5 Threas size (d<sub>3</sub>)  
 6 Thread lenght (l)  
 7 Elastomer  
 8 Hardness  
 9 Metal quality

**1 2 3 4 5 6 7 8 9**

**KD-D 125/45 M16x41 NK 55 +/-5 SH A, ST37**